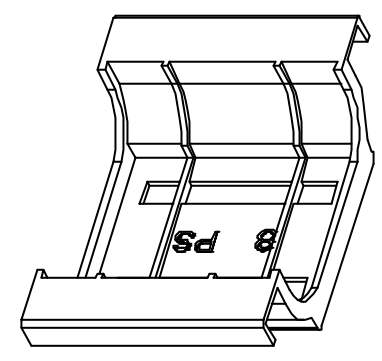
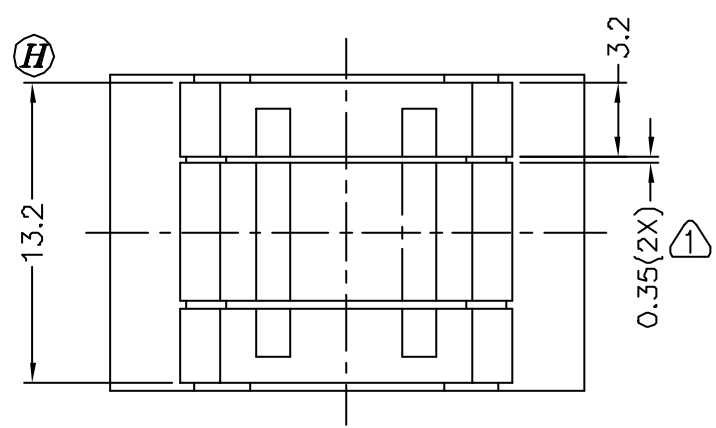


P-1934



REV.	REVISIONS REC.	DATE	REV.	REVISIONS REC.	DATE
1	ADD THE RIB	06/24/04			

DRAWN & DRAFTED BY LIU YOU SEN	TOLERANCES 0<L≤4 ±0.1 4<L≤16 ±0.2 16<L≤63 ±0.3	ANGLE: ±1°	TITLE: COVER EPC-19		
		CHECKED & APPROVED BY TIAN BAI SEN	UNIT: MM	BOBBIN MATERIAL: LCP E4008	UL REC. UL 94V-0
PIN SHINE INDUSTRIAL CO.,LTD. TEL:886-2-22990545 FAX:886-2-22990546		ORIGIN: SZ	PIN MATERIAL:	PIN TENSION LOAD:	
		DATE: APR.29 '2003	DRAWING NO. C-119	REV. 1	