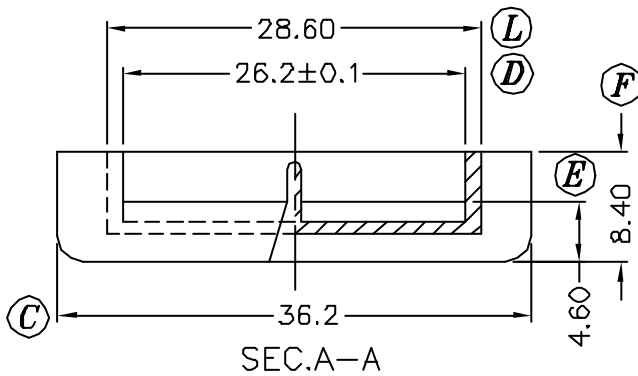
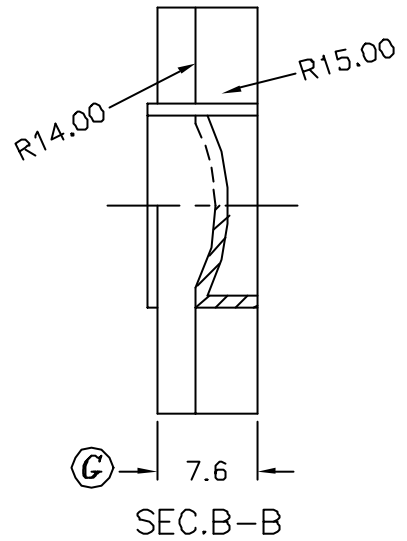
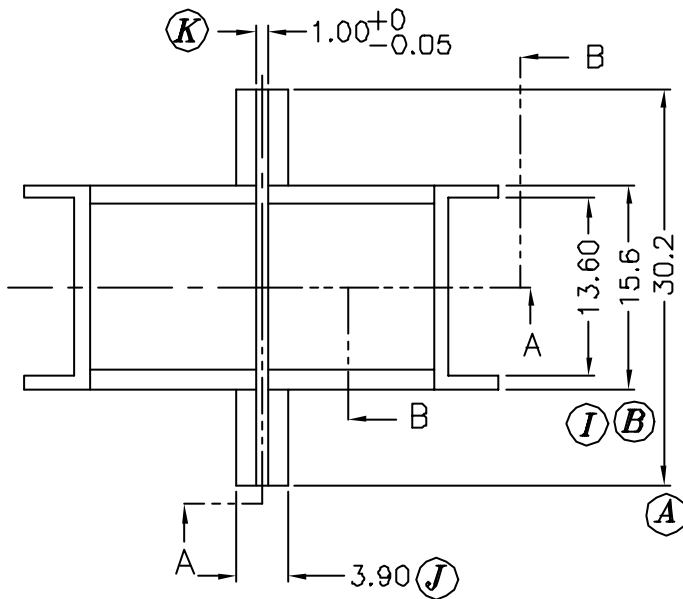


PART P-3907



SEC.A-A

REV.	REVISIONS REC.	REV.	REVISIONS REC.
1	UPDATE DRAWING; DRAWING NO. P-3907A-->C-116		

DRAWN & DRAFTED BY ZHANG ZHI QIANG	TOLERANCES 0<L≤4 ±0.1 4<L≤16 ±0.2 16<L≤63 ±0.3	ANGLE: ±1°	TITLE: COVER ETD-39		
		UNIT: MM	BOBBIN MATERIAL: PBT 1403G6	UL REC. UL 94V-0	
CHECKED & APPROVED BY JOHN RONG		ORIGIN: DG TH	PIN MATERIAL:	PIN TENSION LOAD:	
PIN SHINE INDUSTRIAL CO., LTD. TEL: 886-2-22990545 FAX: 886-2-22990546			DATE: APR. 23 '2003	DRAWING NO. C-116	REV. 1