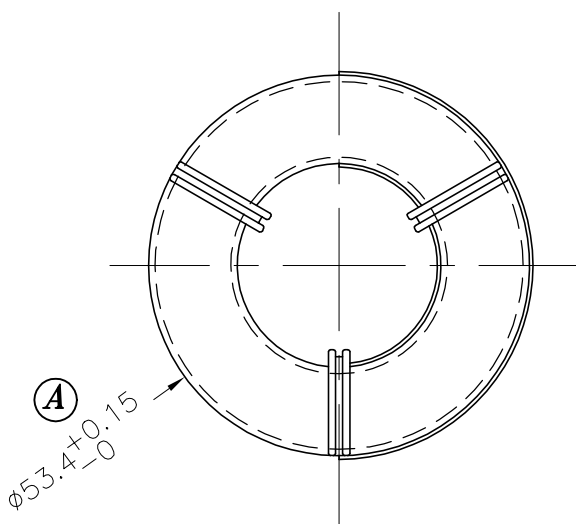
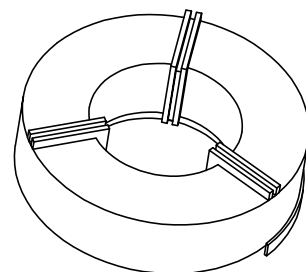


PART C-088-1



REV.	REVISIONS	REC.	REV.	REVISIONS	REC.

DRAWN & DRAFTED BY WU FANG	TOLERANCES		ANGLE:	TITLE:	
	0<L≤4 ±0.1	pin pitch	±1°	COVER T-51X31X13	
CHECKED & APPROVED BY TIAN BAI SEN	4<L≤16 ±0.2		UNIT:	BOBBIN MATERIAL:	UL REC.
	16<L≤63 ±0.3		MM	PBT 4115	UL 94V-0
PIN SHINE INDUSTRIAL CO., LTD. TEL:886-2-22990545 FAX:886-2-22990546			ORIGIN:	PIN MATERIAL:	PIN TENSION LOAD:
			SZ		
			DATE:	DRAWING NO.	REV.
			NOV.14 2002	C-088	0