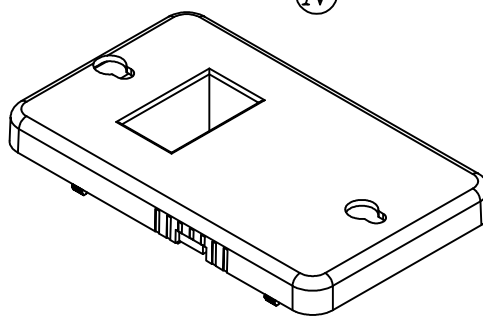
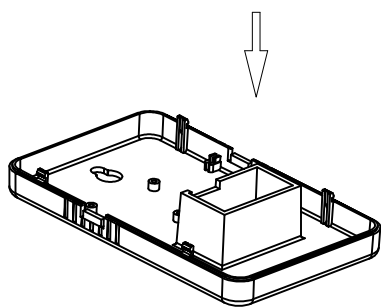
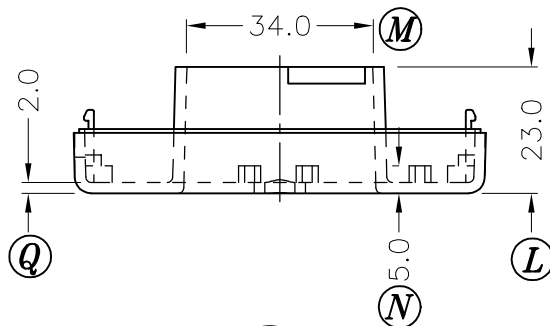


PART C-083-2



REV.	REVISIONS	REC.	REV.	REVISIONS	REC.
1	CANCEL (I),(O),(P),(S),(J),(K); ADD (U); UPDATE DRAWING				

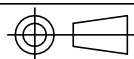
DRAWN & DRAFTED BY	WU FANG	TOLERANCES		ANGLE:	TITLE:		
		0<L≤4 ±0.1	pin pitch	±1°	PHONE-COVER-DOWN		
CHECKED & APPROVED BY	TIAN BAI SEN	4<L≤16 ±0.2		UNIT:	BOBBIN MATERIAL:	UL REC.	
		16<L≤63 ±0.3	MM	ABS PA-757	UL 94HB		
ORIGIN:				SZ	PIN MATERIAL:	PIN TENSION LOAD:	
TEL:886-2-22990545				DATE:		DRAWING NO.	REV.
FAX:886-2-22990546				APR.18 '2003		C-083-3	1



PIN SHINE INDUSTRIAL CO., LTD.

TEL:886-2-22990545

FAX:886-2-22990546



DATE: APR.18 '2003

DRAWING NO.

C-083-3

REV. 1