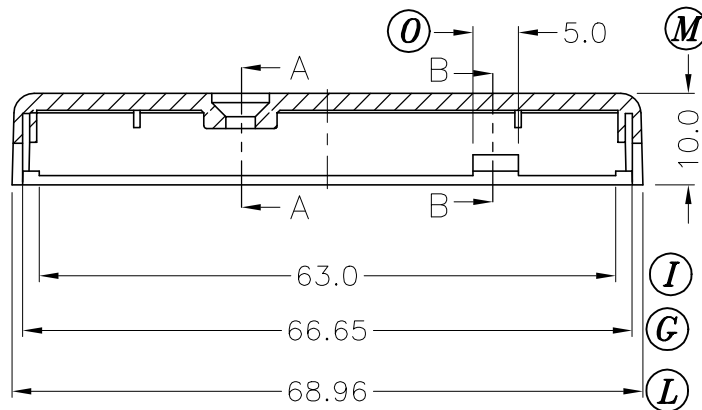
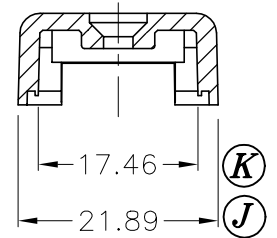


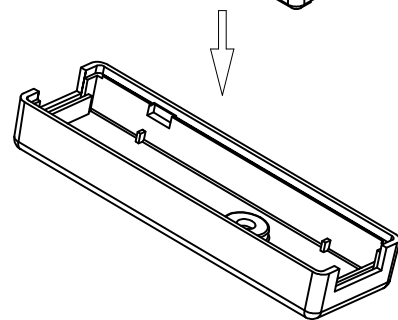
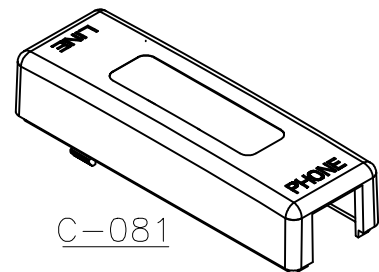
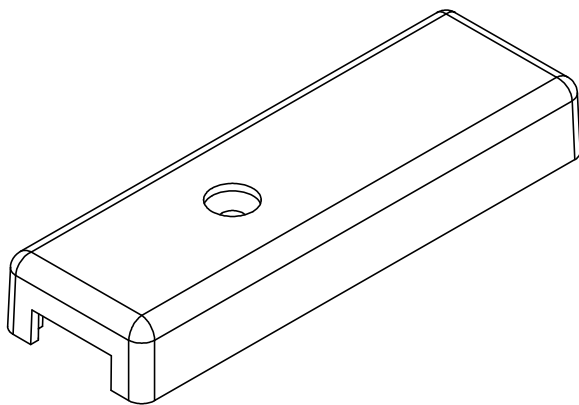
SEC.B-B




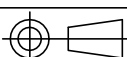
SEC.C-C



SEC.A-A



REV.	REVISIONS	REC.	REV.	REVISIONS	REC.
2	BOBBIN MATERIAL: PA-757 -->PA-765				
3	CANCEL (N),(H); UPDATE DRAWING				

DRAWN & DRAFTED BY	WU FANG	TOLERANCES		ANGLE:	TITLE:	
		± 0.3	pin pitch	$\pm 1^\circ$	PHONE-COVER2-DOWN	
CHECKED & APPROVED BY	TIAN BAI SEN			UNIT:	BOBBIN MATERIAL:	UL REC.
				MM	ABS PA-765	UL 94V-0
				ORIGIN:	PIN MATERIAL:	PIN TENSION LOAD:
				SZ		
 PIN SHINE INDUSTRIAL CO.,LTD. TEL:886-2-22990545 FAX:886-2-22990546				DATE:	DRAWING NO.	REV.
				APR.17 '2003	C-080-1	3