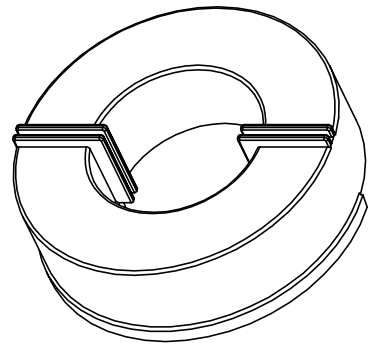

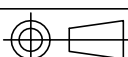


C-079-1



REV.	REVISIONS	REC.	REV.	REVISIONS	REC.

DRAWN & DRAFTED BY WU FANG	TOLERANCES		ANGLE:	TITLE:	
	0 $L \leq 4$ ± 0.1	pin pitch	$\pm 1^\circ$	COVER T-51X31X13	
CHECKED & APPROVED BY TIAN BAI SEN	4 $L \leq 16$ ± 0.2		UNIT:	BOBBIN MATERIAL:	UL REC.
	16 $L \leq 63$ ± 0.3		MM	PBT 4115	UL 94V-0
			ORIGIN:	PIN MATERIAL:	PIN TENSION LOAD:
			SZ		
 PIN SHINE INDUSTRIAL CO.,LTD. TEL:886-2-22990545 FAX:886-2-22990546			DATE:	DRAWING NO.	REV.
			SEP.14 '2002	C-079	0