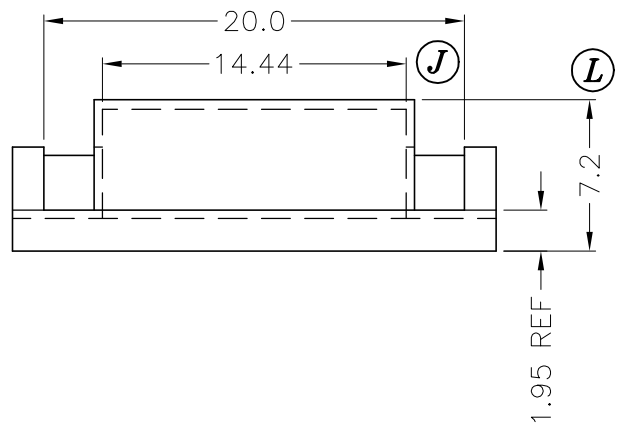
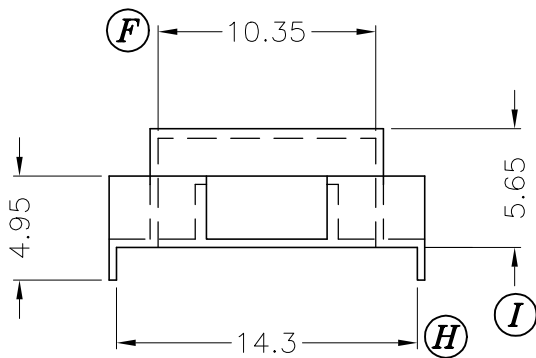
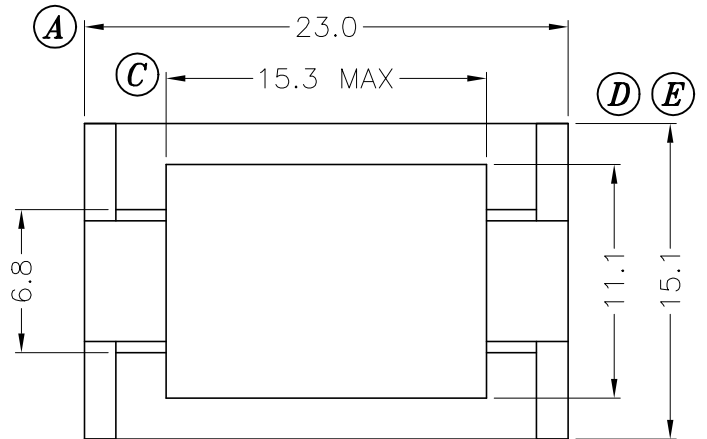


S-1507(B-077.801L)



C-077.001L

REV.	REVISIONS	REC.	REV.	REVISIONS	REC.
1	CANCEL (K),(G),(B);	UPDATE DRAWING			

DRAWN & DRAFTED BY WANG CHENG	TOLERANCES		ANGLE:	TITLE:	
	0<L≤4 ±0.1	pin pitch	±1°	COVER UI-15	
CHECKED & APPROVED BY JOHN RONG	4<L≤16 ±0.2		UNIT:	BOBBIN MATERIAL:	UL REC.
	16<L≤63 ±0.3		MM	LCP E4008	UL 94V-0
PIN SHINE INDUSTRIAL CO.,LTD. TEL:886-2-22990545 FAX:886-2-22990546			ORIGIN:	PIN MATERIAL:	PIN TENSION LOAD:
			DG		
		DATE:	DRAWING NO.	REV.	
		APR.15 '2003	C-068	1	