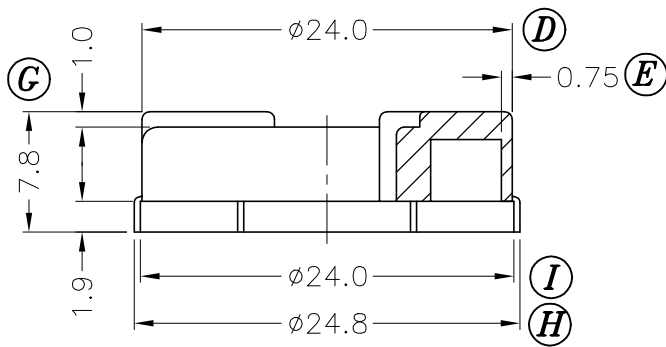
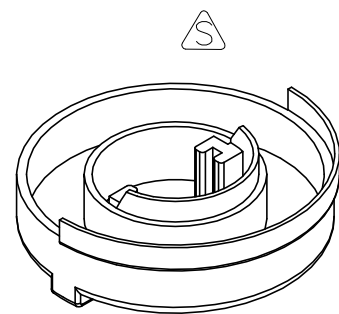
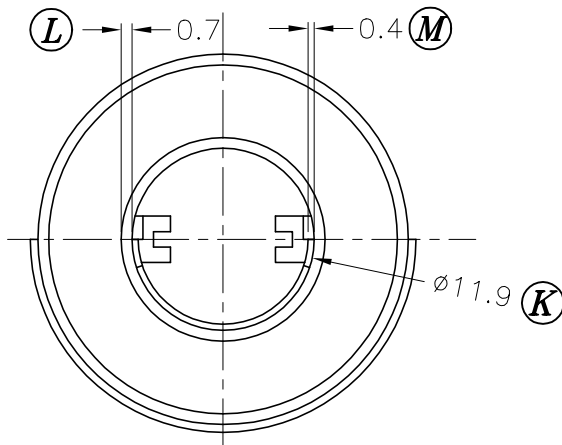
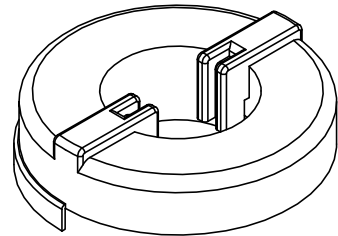


PART C-005-1



SEC. A-A



REV.	REVISIONS	REC.	REV.	REVISIONS	REC.
1	△ SHAPE MODIFIED.				
2	CANCEL (F),(J),(C); UPDATE DRAWING.				

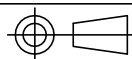
DRAWN & DRAFTED BY	WANG CHENG	TOLERANCES		ANGLE:	TITLE:	
		0 <math>L \leq 4</math> ±0.1	pin pitch	±1°	COVER T-22X14X8	
CHECKED & APPROVED BY	JOHN RONG	4 <math>L \leq 16</math> ±0.2		UNIT:	BOBBIN MATERIAL:	UL REC.
		16 <math>L \leq 63</math> ±0.3	MM	PBT 4115	UL 94V-0	
ORIGIN:				DG	PIN MATERIAL:	PIN TENSION LOAD:
DATE:				MAY.21 '2003	DRAWING NO.	C-005
REV.:						2



PIN SHINE INDUSTRIAL CO.,LTD.

TEL:886-2-22990545

FAX:886-2-22990546



DATE: MAY.21 '2003

DRAWING NO.

C-005

REV. 2