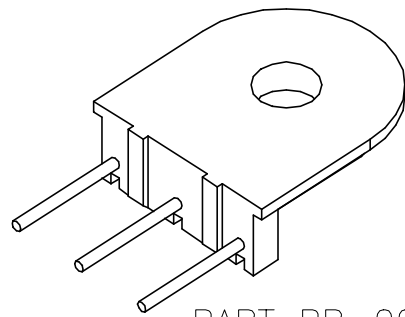
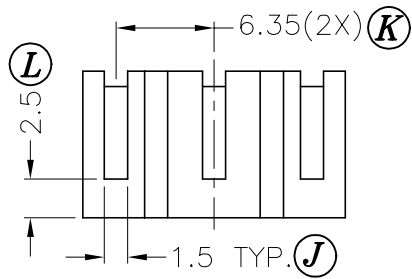
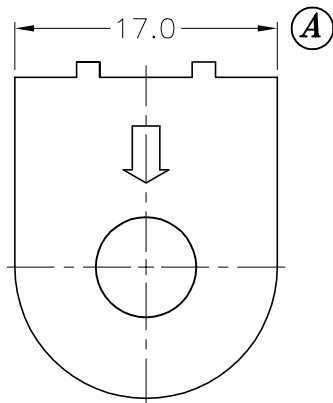
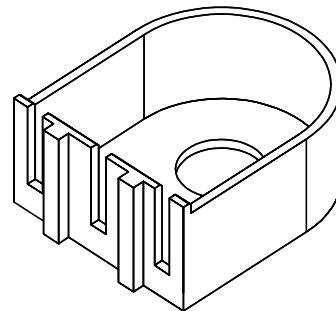


SEC. A-A



PART PB-001



REV.	REVISIONS	REC.	REV.	REVISIONS	REC.

DRAWN & DRAFTED BY WNCH HSIANG	TOLERANCES		ANGLE:	TITLE:	
	0 $L \le 4$ ± 0.1	pin pitch	$\pm 1^\circ$	COVER 21.8X17X9.6	
CHECKED & APPROVED BY CHIN TE	4 $L \le 16$ ± 0.2		UNIT:	BOBBIN MATERIAL:	UL REC.
	16 $L \le 63$ ± 0.3		MM	PET T102G30	UL 94V-0
			ORIGIN:	PIN MATERIAL:	PIN TENSION LOAD:
			DG		
PIN SHINE INDUSTRIAL CO., LTD. TEL: 886-2-22990545 FAX: 886-2-22990546			DATE:	DRAWING NO.	REV.
			SEP.05 '1995	C-001-1	0